



An elegant addition to any contemporary home that combines the art of fire and design in a stunning synthesis of form.

LENNOX
HEARTH PRODUCTS

MERIT®
SERIES



MLDVTCD shown with tumbled river stone and beach sand.

■ Merit® Series louverless direct-vent (MLDVTCD) gas fireplaces deliver a clean, elegant presentation to complement any living space. These highly efficient fireplaces produce striking dancing ribbon flames at very low BTU/hr rates to help save energy costs. The MLDVTCD boasts an expansive viewing area that offers a front-row seat to the cozy entertainment. Plus, they can be installed mid-wall with the elegant façade or at the traditional floor level with the usual surround materials. The luxury and style of the MLDVTCD make louverless an efficient and affordable option. ■

STANDARD FEATURES

Striking ribbon fire creates an active and entertaining fire presentation

Highly reflective black porcelain panel interior produces multiple flame images and interest

Very low BTU/hr rate helps reduce energy consumption and keep costs low

Contemporary design delivers a clean modern look that complements many architectural styles

Standing pilot millivolt or electronic battery-backed-up gas valve systems work in a power failure and offer the greatest flexibility in installation

Black powder-coat paint on the surface offers scratch-resistant durability

Control areas are easy to access for quick installation, set-up and maintenance

Secure Vent® rigid and Secure Flex® direct-vent systems considerably reduce installation time and costs

Flex gas line connector and shutoff valve

Backed by the Good Housekeeping Seal

OPTIONAL ACCESSORIES

Decorative façades in layered stainless, black and brass:

- 1 Façade base in black and stainless
- 2 Façade frame in black and stainless
- 3 Façade trim in black, stainless and brass

Decorative crushed glass available in Deep Sea Blue, Diamond White and Obsidian Black

Tumbled river stone

Beach sand

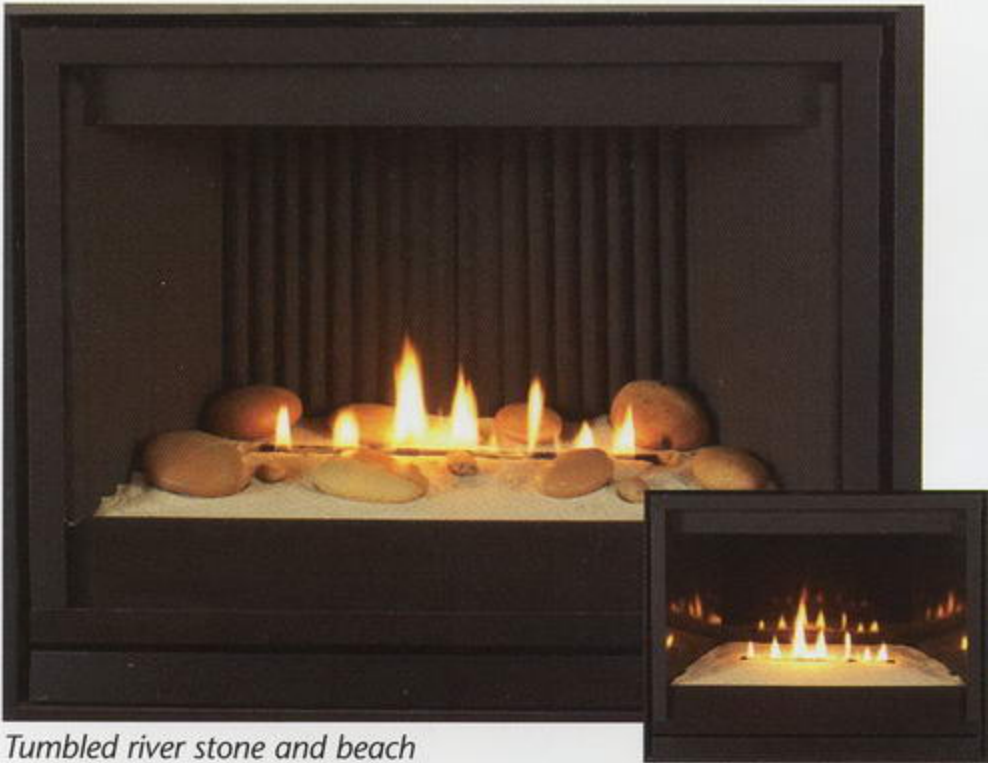
Zen Garden ceramic fiber refractory liners

Fixed-screen panels*

Blower kits—including variable speed control version

Wireless remote controls

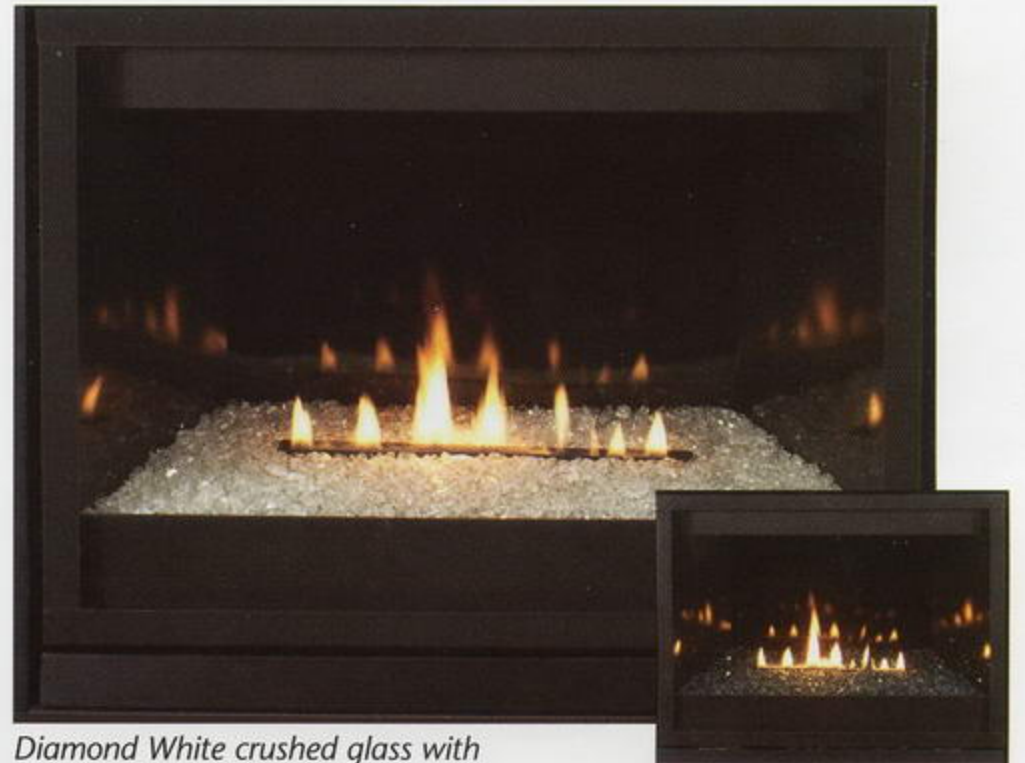
*Used behind the façade to provide a barrier to prevent direct contact with hot glass surface.



Tumbled river stone and beach sand with Zen Garden liner



Beach sand with reflective black porcelain panel



Diamond White crushed glass with reflective black porcelain panel



Deep Sea Blue crushed glass with reflective black porcelain panel



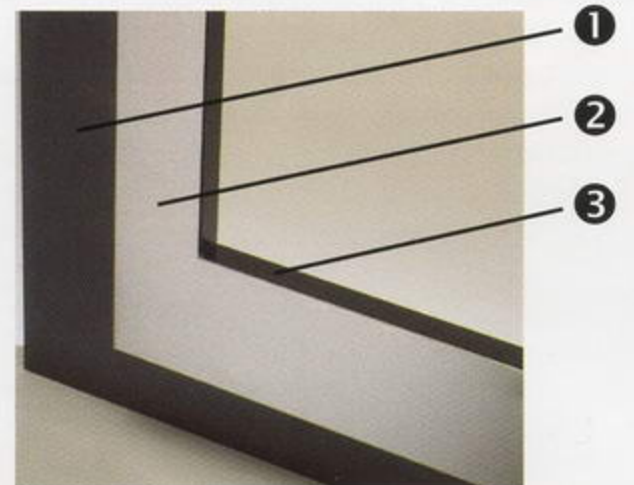
Deep Sea Blue crushed glass



Obsidian Black crushed glass



Diamond White crushed glass



Decorative façade

GAS FIREPLACE EFFICIENCIES

MODEL	BTU/HR	CANADIAN ENERGUIDE RATING*	STEADY-STATE EFFICIENCY
MLDVTCD-35N	11,500–14,500	48%	52%
MLDVTCD-35P**	10,500–13,500	51%	56%

*Intermittent ignition systems.

**Propane conversion kit available.

DIMENSIONS



MLDVTCD-35



MLDVTCD Façade

GAS FIREPLACE SPECIFICATIONS

VENT SIZE

Co-axial DV 4-1/2" Inner

Vent Size 7-1/2" Outer

VIEWABLE GLASS SIZE

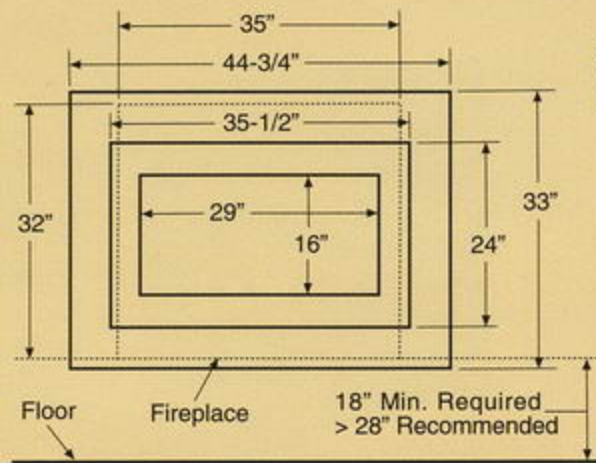
29-1/4"w x 20-1/4"h

FRAMING DIMENSIONS

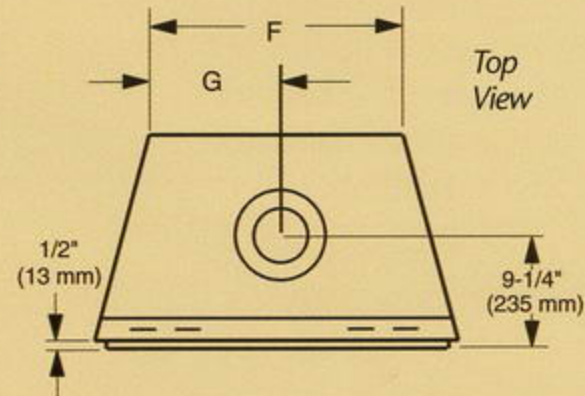
	WIDTH	HEIGHT	DEPTH
MLDVTCD-35	35-1/4" (895 mm)	35-1/4" (895 mm)	16" (406 mm)

DIMENSIONS

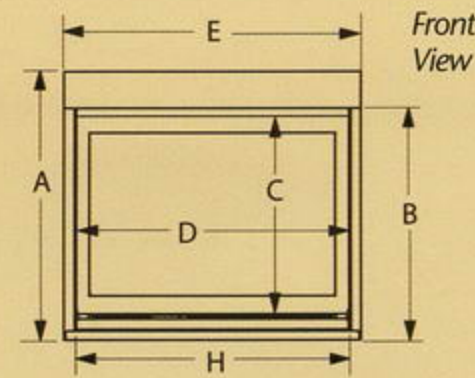
MLDVTCD-35	
A	32-1/4" (819 mm)
B	28-1/8" (714 mm)
C	23-1/4" (590 mm)
D	32" (813 mm)
E	35-1/4" (895 mm)
F	25" (635 mm)
G	12-1/2" (317 mm)
H	33" (838 mm)



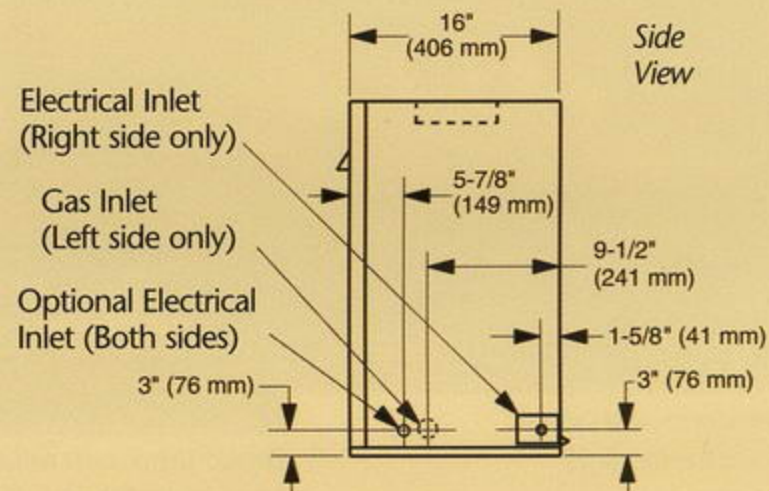
Façade View



Top View



Front View



Side View

PRODUCTS AND DEALERS YOU CAN COUNT ON

At Lennox, we understand how important it is for you to feel comfortable at home, so we're committed to providing you with the finest hearth products available. Choosing the right dealer for your hearth needs is every bit as important as choosing the right brand, and we think you'll agree that our dealers are a big reason why you can count on getting quality customer service when you call.

On the cover: MLDVTCD-35 shown with decorative façade in black and brushed stainless trim.

IMPORTANT NOTES:

As with any heating appliance, fireplace or stove, this appliance is extremely hot during operation. Read and understand all operating instructions before using this appliance. For further information, consult your dealer.

Local conditions, such as elevation, wind, vent configuration and choice of fuel will affect overall appearance of the fire and heating performance. Performance can also vary with home design and insulation, climate, condition and type of fuel used, appliance location, burn rate, accessories chosen, chimney installation and how the appliance is operated.

Diagrams, illustrations and photographs are not to scale—consult installation instructions. Product designs, materials, dimensions, specifications, colors and prices are subject to change or discontinuance without notice.

Approved and listed to U.S. and Canadian safety and performance standards—ANSI Z21.50/CSA 2.22 and CAN/CGA 2.17M91.



© Lennox Industries Inc. 2011

Visit us at www.lennox.com, or contact us at 1-800-9-LENNOX.

